

Concentrate LED Lamp

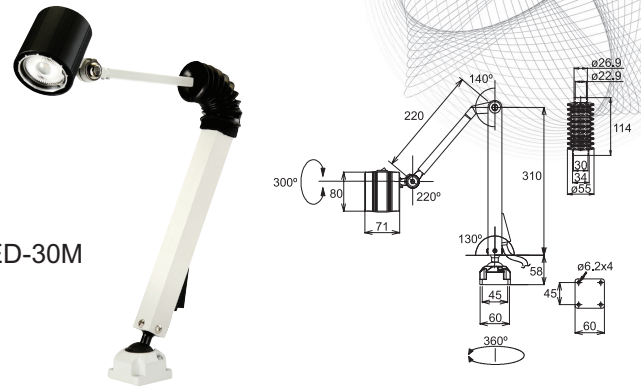


NEW



VLED-30L

UNIVERSAL TYPE



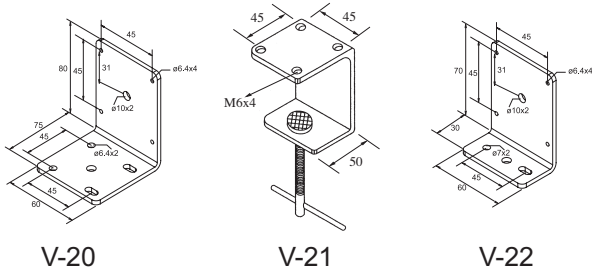
VLED-30M

Features

- Energy saving
- LED light long service life
- 1 year guarantee
- Luminous flux: 250~330 lumen
- No high heat produce
- Dust proof
- Flexible & folding arm
- Built-in transformer
- Suit for small CNC, engraving, sewing machine, drill press, lathe, and working table

ORDER NO.	VOLTAGE	BULB	ARM L x l	WEIGHT N.W.(KGS)	CODE NO.
VLED-30L	INPUT: 220V OUTPUT: AC / DC 12V	12V 6W	400 X 310 mm	2	1025-125
VLED-30L	INPUT: 110V OUTPUT: AC / DC 12V	12V 6W	400 X 310 mm	2	1025-126
VLED-30M	INPUT: 220V OUTPUT: AC / DC 12V	12V 6W	220 X 310 mm	1.8	1025-127
VLED-30M	INPUT: 110V OUTPUT: AC / DC 12V	12V 6W	220 X 310 mm	1.8	1025-128

OPTIONAL



V-20

V-21

V-22



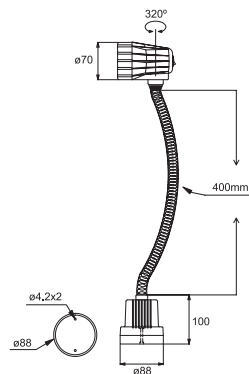
- LED6W
Led light bulb
250~330 lumen

OPTIONAL ACCESSORIES

ORDER NO.	WEIGHT (kg)	CODE NO.
V-20	0.28	1025-106
V-21	0.48	1025-107
V-22	0.16	1025-119
LED6W	0.14	1025-140

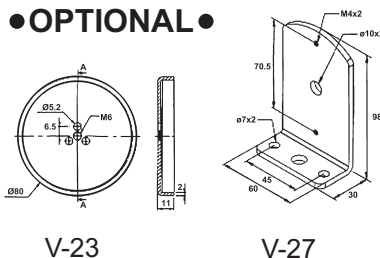
Concentrate LED Lamp

NEW



ORDER NO.	VOLTAGE	BULB	ARM L x l	WEIGHT N.W.(KGS)	CODE NO.
VLED-20L	INPUT: 220V OUTPUT: AC / DC 12V	12V 6W	400 mm	1.2	1025-120
VLED-20L	INPUT: 110V OUTPUT: AC / DC 12V	12V 6W	400 mm	1.2	1025-121

OPTIONAL



V-23

V-27



- LED6W
Led light bulb
250~330 lumen

OPTIONAL ACCESSORIES

ORDER NO.	WEIGHT (kg)	CODE NO.
V-23	0.27	1025-117
V-27	0.21	1025-118
LED6W	0.14	1025-140

Features

- Energy saving
- LED light long service life
- 1 year guarantee
- Luminous flux: 250~330 lumen
- No high heat produce
- Dust proof
- Flexible & folding arm
- Built-in transformer
- Suit for small CNC, engraving, sewing machine, drill press, lathe, and working table

WITH TRANSFORMER & MAGNETIC BASE