

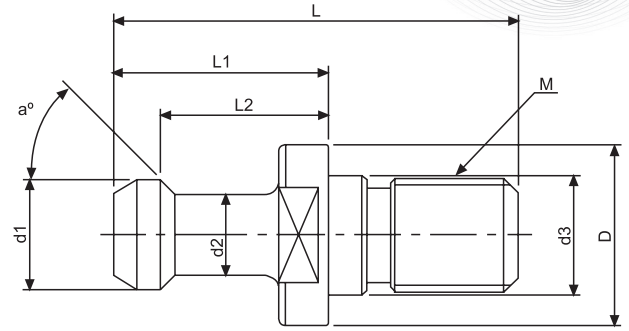
# Pull Studs



**BT 30, 40, 50**

**FOR MAS 403**

- MATERIAL: SNCM 21
- HARDNESS: HRC 54°±2°



THREAD GROUND

Unit:mm

ORDER NO.	TAPER NO.	a°	L	L1	L2	D	d1	d2	d3	M	CODE NO.
BT-510	BT30X90°	90	43	23	18	16.5	11	7	12.5	M12	3215-007
BT-501	BT30X45°	45	43	23	18	16.5	11	7	12.5	M12	3215-008
BT-502	BT30X60°	60	43	23	18	16.5	11	7	12.5	M12	3215-009
BT-511	BT40X90°	90	60	35	28	23	15	10	17	M16	3215-010
BT-503	BT40X45°	45	60	35	28	23	15	10	17	M16	3215-011
BT-504	BT40X60°	60	60	35	28	23	15	10	17	M16	3215-012
BT-512	BT50X90°	90	85	45	35	38	23	17	25	M24	3215-013
BT-505	BT50X45°	45	85	45	35	38	23	17	25	M24	3215-014
BT-506	BT50X60°	60	85	45	35	38	23	17	25	M24	3215-015

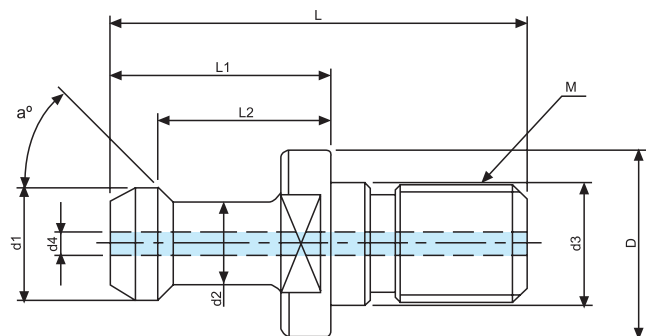
# Pull Studs

**MAS 403  
BT-40,50**

**FOR MAS 403**



- With through hole for internal coolant



Unit:mm

ORDER NO.	TAPER NO.	a°	L	L1	L2	D	d1	d2	d3	d4	M	CODE NO.
BT-516	BT40X45°W	45	60	35	28	23	15	10	17	4	M16	3215-060
BT-517	BT40X60°W	60	60	35	28	23	15	10	17	4	M16	3215-061
BT-518	BT40X90°W	90	60	35	28	23	15	10	17	4	M16	3215-062
BT-519	BT50X45°W	45	85	45	35	38	23	17	25	7	M24	3215-063
BT-520	BT50X60°W	60	85	45	35	38	23	17	25	7	M24	3215-064
BT-521	BT50X90°W	90	85	45	35	38	23	17	25	7	M24	3215-065