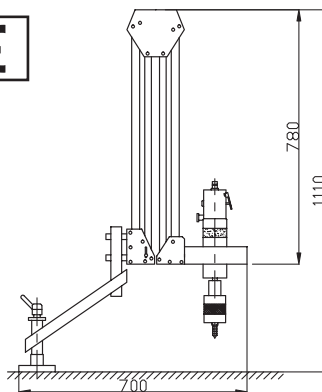


Air Tapping Unit



STANDARD ACCESSORIES:

- Air tapping spindle
- Parallel arm
- Table mounting column
- Air combination
- Choose any six safety clutch tapping adapters
- Radial jib, increases arm reach by 500mm
- Without stand plate
- Air pressure: 6~8 kgs/cm³
- VAT-08/12 series require: 5HP compressor
- VAT-16/20 series require: 10HP compressor

※Base not included

ORDER NO.	VAT-1908	VAT-1912	VAT-1916	VAT-1920	VAT-1922	VAT-1924
For Tap	M3~M8	M5~M12	M8~M16	M10~M20	M12~M22	M14~M24
	TC-312	TC-312	TC-820	TC-820	TC-820	TC-820
Speed (rpm)	700	400	250	180/200	185/205	90/100
Weight (kgs)	19.7	23.9	23.5	26	28	28
Work Range	Rmax 1900mm					
	Rmin 200mm					
CODE NO.	3404-425	3404-426	3404-427	3404-430	3404-431	3404-431A

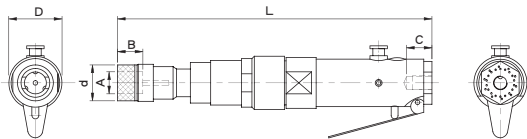
※VAT-1924 can be replaced by VAT-1624

Air Tapping Spindle

High torque, high efficiency for machining all tapping requirement. Light and handy main shaft design, easy operation.

The required pressure is 6.3kg/cm³=90 PSI.

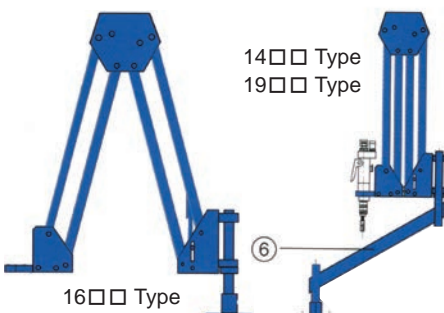
- SP08 & SP12 Required 5 HP compressor and more.
 - SP16 & SP20 Required 10 HP compressor and more.
- (must keep the air pressure at 6.3kg/cm²)



ORDER NO.	TAPPING CAPACITY	SPEED (rpm)	MOUNTING DIA.	WEIGHT (kgs)	CODE NO.
VAT-SP08	M3-M8	630/700	ø38.5 (1 1/2")	1.5	3404-432
VAT-SP12	M5-M12	350/400	ø38.5 (1 1/2")	1.5	3404-433
VAT-SP16	M8-M16	230/250	ø61.3 (2 13/32")	3.9	3404-434
VAT-SP20	M10-M20	180/200	ø61.3 (2 13/32")	3.9	3404-435
VAT-SP22	M12-M22	185/205	ø61.3 (2 13/32")	3.9	3404-435A
VAT-SP24	M14-M24	90/100	ø61.3 (2 13/32")	4.3	3404-435B

ORDER NO.	A	B	C	D	d	L	CODE NO.
VAT-SP08	19	30	22	46	32	263	3404-432
VAT-SP12	19	30	22	46	32	263	3404-433
VAT-SP16	31	48	27	65	50	360	3404-434
VAT-SP20	31	48	27	65	50	360	3404-435
VAT-SP22	31	48	27	65	50	360	3404-435A
VAT-SP24	31	48	27	65	50	395	3404-435B

Parallel Arm For Air Tapping Unit



PARALLEL ARM

FOR THE AIR TAPPING UNIT

ORDER NO.	WEIGHT SP-08	WEIGHT SP-12	WEIGHT SP-16	CODE NO.
VAT-ARM700-SP 08, 12, 16	12kgs	12kgs	14kgs	3404-436
VAT-ARM1400x200-SP 08, 12, 16	17kgs	17kgs	18kgs	3404-437
VAT-ARM1600x500-SP 08, 12, 16	17kgs	17kgs	18kgs	3404-438
VAT-ARM1900x200-SP 08, 12, 16	19kgs	19kgs	20kgs	3404-439