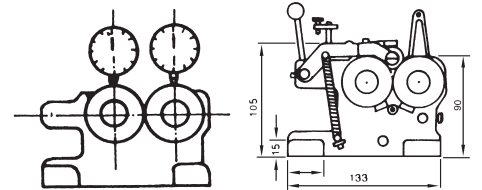
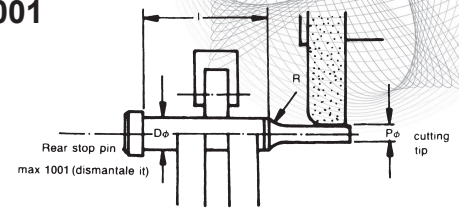




ORDER NO.V-PGS CODE NO.2002-001
MINI-TYPE
PUNCH GRINDER Ø1.5-3mm

This is a mini type punch grinder which can grind fine punch of outside diameter from 1.5mm to 3mm.N.W.4.5kgs

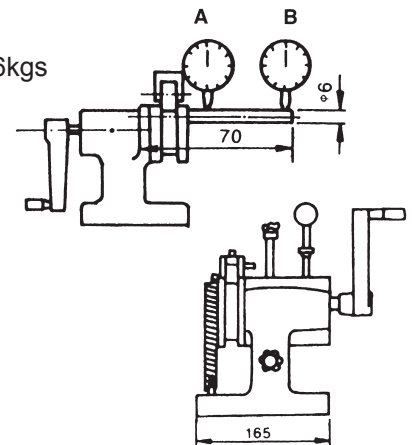
Accuracy of point A within 0.005m/m and point B Within 0.008m/m while turning.



ORDER NO.V-PG CODE NO.2002-010
STANDARD- TYPE Ø1.5-Ø25 WEIGHT: 6.6kgs

Punch grinder is a tool which can be put on the surface grinding machine for round punches(1.5mm-25mm).It can be ground by putting among three rollers of punch grinder. without checking the center. Accuracy of roller within 0.005mm while turning right or left. It can allow lenght 5-35m/m

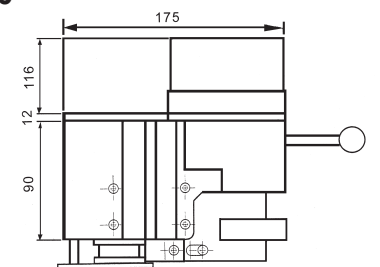
Accuracy of point A within 0.005m/m and point B Within 0.008m/m while turning.



ORDER NO.V-PGM CODE NO.2002-020
WITH MOTOR TYPE Ø1.5-Ø25
WEIGHT: 11.8kgs

Features

- 1.High accuracy cylindrical grinding work possible just by putting this economical unit on surface grinder.
- 2.No center alignment necessary. just put work on rollers.
- 3.Portable with single hand, thus easily set on grinding.
- 4.With rollers motor -driven attention can be concentrated on table/wheel feeds.
- 5.Work can be formed in radius taper as well
- 6.Double roller unit available for long pin or punch grinding.



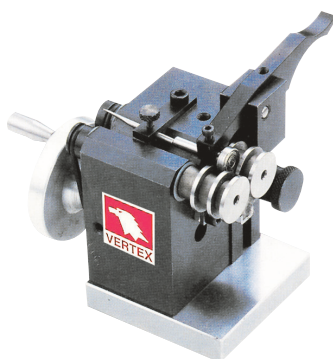
V- PGM

FEATURES

Mounting surface(RLxFB).....175X218X90mm
 50Hz/220v.....108rpm
 Roller speed 60Hz/110v.....129rpm
 Accuracy(Roundness and concentricity).....25.4mm
 Roller driving motor 110v, Single phase, 25W
 (Specifications are subject to change without notice.)

ORDER NO:V-PGA CODE NO.2002-030

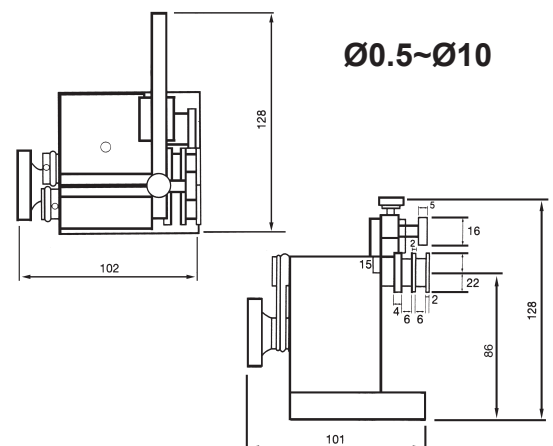
WEIGHT:3.1kgs



1. The small punch grinder can process from dia 0.5mm to 6mm. If the length of workpiece is about 10mm which can be grind.

This punch grinder can work with surface grinding machine and to grinding any sizes.

2. Easy operation and high precision make it to be the best grindig tool for small workpiece.



Ø0.5~Ø10