

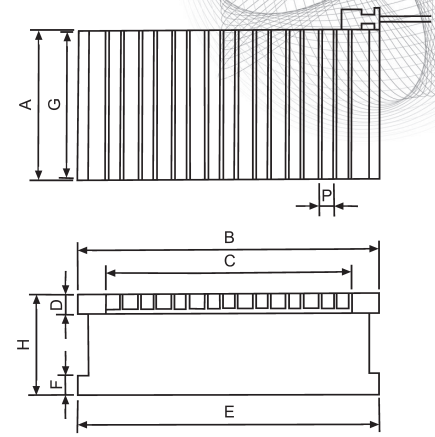
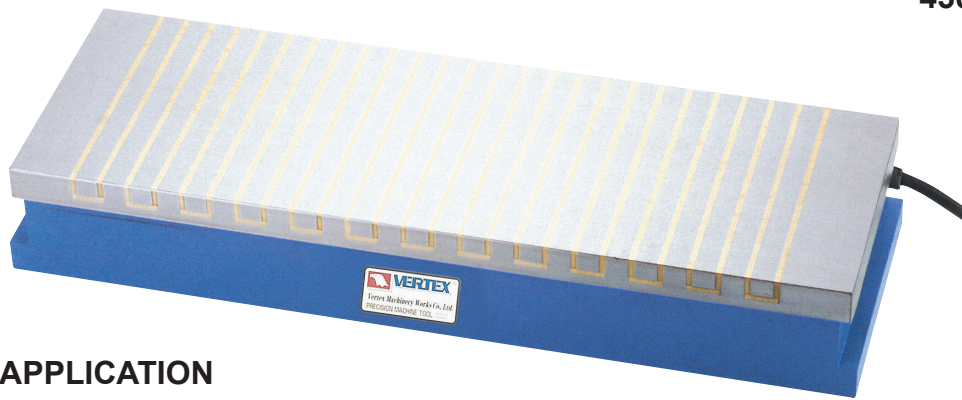


# Standard Pole Electro Magnetic Chuck



# VERTEX®

## 450 GAUSS



### APPLICATION

Most suitable for grinding operation, of standard electromagnetic chuck.

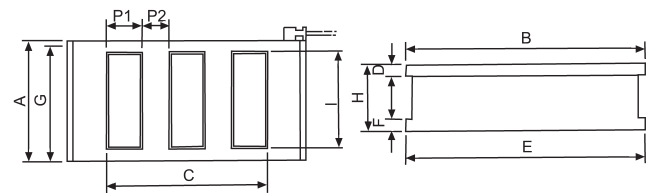
Unit:mm

ORDER NO.	DIMENSION	CHUCKING SIZE				POLE PITCH		CHUCK MOUNTING FACE				VOLTAGE	CURRENT	WEIGHT (kg)	CODE NO.
		A	B	C	D	P	G	E	F	H					
VEM-1530A	150x300	150	300	228	20	15(3+12)	144	316	20	70	DC-90V	0.15A	21	2015-221	
VEM-1535A	150x350	150	350	288	20	15(3+12)	144	366	20	70	DC-90V	0.18A	25	2015-222	
VEM-1545A	150x450	150	450	378	20	15(3+12)	144	466	20	70	DC-90V	0.24A	32	2015-223	
VEM-2040A	200x400	200	400	348	20	15(3+12)	194	416	20	70	DC-90V	0.47A	38	2015-224	
VEM-2045A	200x450	200	450	378	20	15(3+12)	194	466	20	70	DC-90V	0.35A	43	2015-225	
VEM-2550A	250x500	250	500	438	20	15(3+12)	240	500	20	70	DC-90V	0.73A	67	2015-226	
VEM-3060A	300x600	300	600	529	20	15(3+12)	290	600	20	70	DC-90V	0.97A	97	2015-227	
VEM-4080A	400x800	400	800	725	25	19(3+16)	390	800	20	80	DC-90V	1.56A	182	2015-228	
VEM-40100A	400x1000	400	1000	936	25	19(3+16)	390	1000	20	80	DC-90V	1.60A	228	2015-229	
VEM-50100A	500x1000	500	1000	936	25	19(3+16)	490	1000	20	80	DC-90V	1.72A	285	2015-230	



# Super-Powerful Electric Magnetic Chuck

## MILLING M / C TYPE 1200 GAUSS



### APPLICATION

Most efficient for heavy cutting with milling machine, shaper, planer and planomiller. It displays the power for the thick work and the high speed cutting operation.

Unit:mm

ORDER NO.	DIMENSION	CHUCKING SIZE					POLE PITCH		CHUCK MOUNTING FACE				VOLTAGE	CURRENT	WEIGHT N.W. (kg)	CODE NO.
		A	B	C	D	I	P1	P2	G	E	F	H				
VEM-2040Z	200x400	200	400	332	20	160	40	35	194	400	20	110	DC-90V	0.71	54	2015-251
VEM-2050Z	200x500	200	500	422	20	160	48	34	194	500	20	110	DC-90V	0.91	75	2015-252
VEM-2060Z	200x600	200	600	520	20	160	48	30	194	600	20	110	DC-90V	1.00	80	2015-253
VEM-2550Z	250x500	250	500	422	20	200	42	34	240	500	20	120	DC-90V	1.16	90	2015-254
VEM-3060Z	300x600	300	600	520	20	240	48	30	290	600	20	120	DC-90V	1.63	130	2015-255
VEM-4080Z	400x800	400	800	718	25	340	48	30	390	800	20	120	DC-90V	2.53	230	2015-256
VEM-40100Z	400x1000	400	1000	917	25	340	45	35	390	1000	20	120	DC-90V	2.96	288	2015-257
VEM-50100Z	500x1000	500	1000	917	25	430	45	35	490	1000	20	120	DC-90V	3.96	360	2015-258
VEM-60100Z	600x1000	600	1000	917	25	530	45	35	590	1000	20	120	DC-90V	5.30	432	2015-259