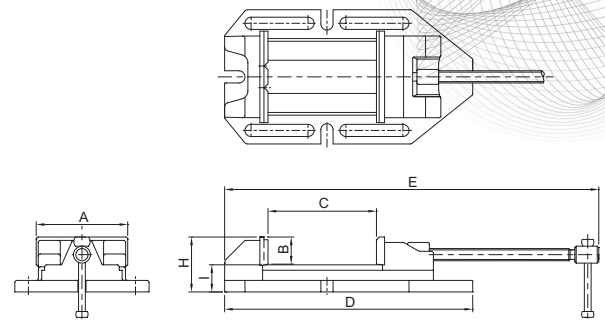
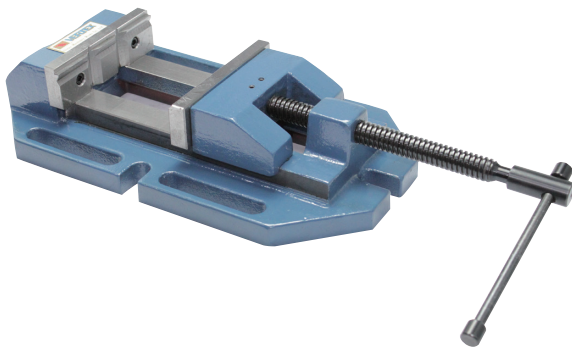


Super Open Drill Vise



NEW

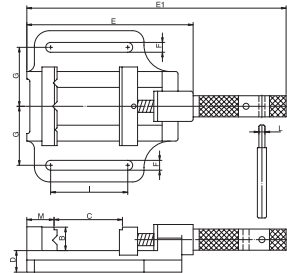


Unit:mm

ORDER NO.	A	B	C OPEN	D	E	H	I	V	G.W. (kgs)	CFT	CODE NO.
VRV-4	110	32	130	316	471	73	40	5-32	9.8		1002-320
VRV-5	135	40	160	366	552	81	40	6-40	14.0		1002-321
VRV-6	160	50	220	447	693	96	45	7-48	25.7		1002-322

Drill Vise

NEW

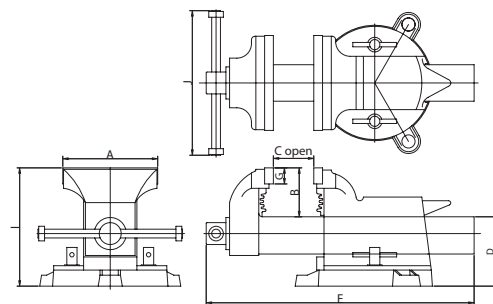


- Designed with solid structure, main body is made of FC15, assemble a pair of heat treated steel jaws with hardness HRC 45°~50°
- Suitable for clamping work piece on drill press machine & milling machine
- Jaw pair and handle are surface treated by black oxide finish
- Front fixed prismatic jaw with cross V-grooves is designed for clamping work piece firmly in both vertical & horizontal directions

ORDER NO.	A	B	C OPEN	D	E	E1	F	G	H	I	J	L	M	WEIGHT	CODE NO.
DV-85	84	25	85	27	182	287	12	64	56	80	167	8	32	3.5	1015-041
DV-100	104	31	100	28.5	220	343	13	78	63	102	200	8	36	5.7	1015-042
DV-120	132	38	120	32	250	395	14	91	71	127	226	9.5	45	8.2	1015-043

Steel Bench Vise With Base

NEW



mm

ORDER NO.	A	B	C OPEN	D	E	G	I	J	WEIGHT (kgs)	CODE NO.
BVV-3	79	51	75	87	280	18	138	178	6	1002-330
BVV-4	104	61	100	87	310	18	148	178	7	1002-331
BVV-5	127	68	125	93	370	22	165	198	10.5	1002-332
BVV-6	154	78	150	108	420	22	183	228	14	1002-333
BVV-8	205	87	200	115	500	22	202	238	18	1002-334
BVV-10	253	100	250	114	570	22	220	263	24	1002-335