

Hydraulic workshop press

WPP 10 TE

Robust press with conventional equipment



Article number ▼

6300011

Brand ▼

Unicraft

Availability ▼

In stock

Immediate delivery

Catalog directory ▼

Workshop and lifting technology »

Bodywork and workshop equipment »

Workshop presses and accessories

Purchase ▼

Minimum 1 pc(s).



Shipping informations ▼

Packaging Metrics		Weights		Delivery		Other	
Length	775 mm	Gross	54.7 kg	Delivery	Carrier	DualUse	✘
Width	520 mm	Net	54.7 kg	Content	1 pc(s).	SCIP	n/a
Height	160 mm					SVHC	No

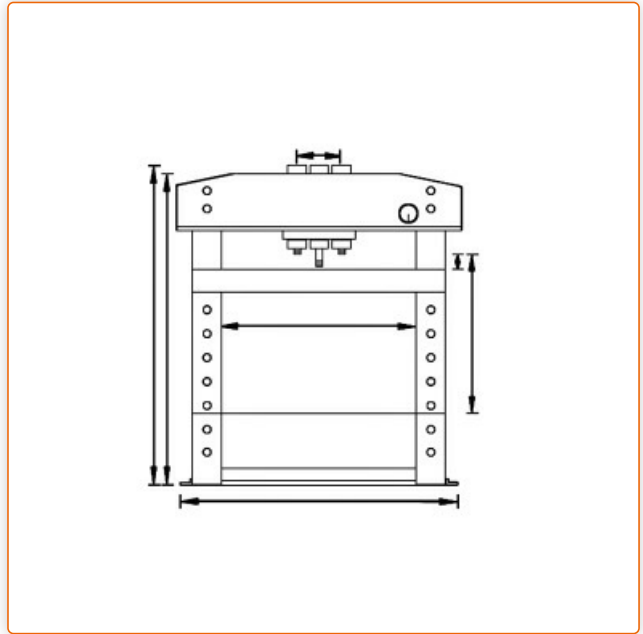
Root data ▼

Country of origin	EAN	Custom number	Quantity unit
China	4036351032885	84626190	pc(s).

Description ▼

- Ideal for versatile use in crafts and repairs in schools, training workshops, garages, workshops, agriculture, forestry and horticulture
- Press cylinder with integrated return spring
- Display of the pressure via pressure gauge

Media informations ▼



Technical data ▼

General features			
Pressure force	10 t	Piston stroke	175 mm
Dimensions and weights			
Length (product) approx.	570 mm	Width/depth (product) approx.	495 mm
Height (product) approx.	1058 mm	Net weight approx.	54.7 kg
Diameter piston rod	40 mm	Clear width	340 mm
Clear height min.	194 mm	Clear height max.	364 mm
Hole spacing for table height adjustment	85 mm	Frame depth	110 mm
Width/depth of machine feet	495 mm		

Accessories ▼



Pressure mandrel set 8-part with perforated plate

Note: The maximum permissible pressing force must not be exceeded for the respective mandrels

Article number ▼
6300001

Availability ▼
In stock
Immediate delivery

Purchase ▼
Minimum 1 pc(s).

Price informations ▼



Prices on this data sheet are recommended retail prices, subject to change, in €, plus VAT at the statutory rate, plus packaging, shipping, transport, unloading, assembly and, if applicable, instruction costs. Sales prices of the dealers can deviate. No liability is accepted for printing errors, mistakes or incorrect presentation. Technical and optical changes are reserved. Illustration partly with optional accessories.