

## Woodbandsaw

### HBS 473

Reliable, torsion-resistant design for precise work



#### Article number

5900473

#### Brand

Holzstar

#### Availability

In stock  
Immediate delivery

#### Catalog directory

Woodworking machinery » Bandsaws »  
Holzstar HBS

#### Purchase

Minimum 1 pc(s).




#### Delivery content

- Saw band 16.0 x 0.5 x 3455 mm / 4 ZpZ
- Aluminum rip fence

#### Shipping informations

Packaging Metrics		Weights		Delivery		Other	
Length	840 mm	Gross	166 kg	Delivery	Carrier	DualUse	✘
Width	540 mm	Net	157 kg	Content	1 pc(s).	SCIP	n/a
Height	1,980 mm					SVHC	No

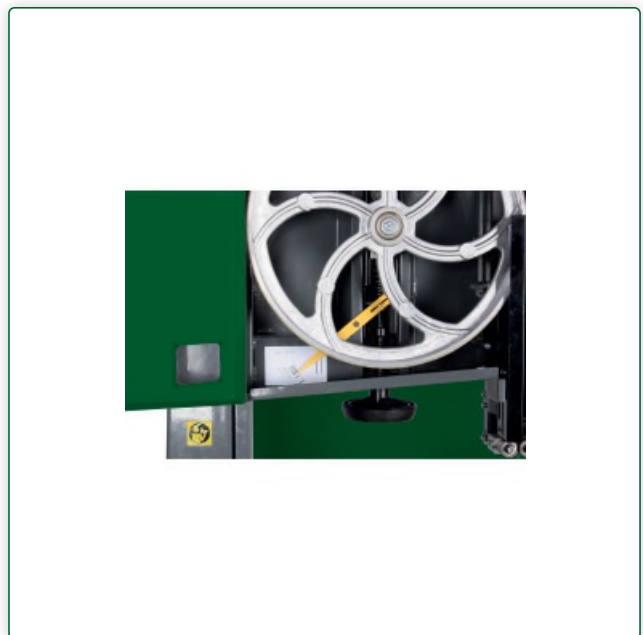
#### Root data

Country of origin	EAN	Custom number	Quantity unit
 China	4036351001577	84659110	pc(s).

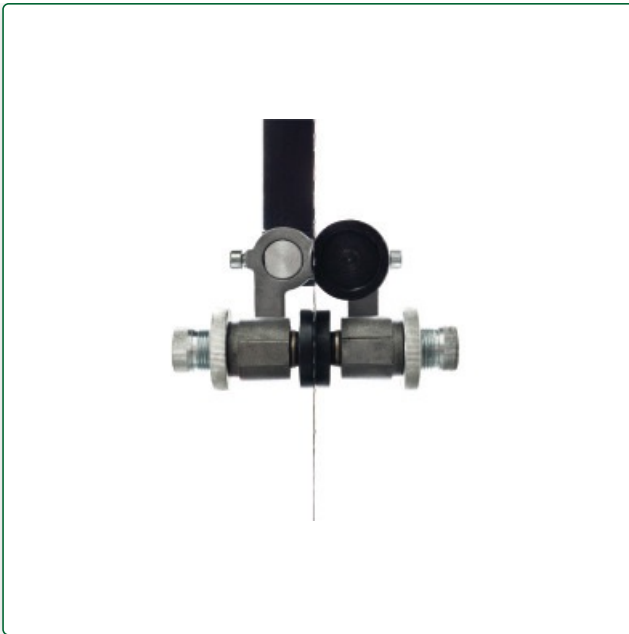
#### Description

- Torsionally rigid construction
- High stability with minimum space requirement
- Safe and smooth saw cuts in wood
- The heavy cast-iron worktable with polished surface is tiltable from 0 to 45°
- Powerful engine
- Safety switch disengages the machine when opening the door and prevents unintentional further starting and starting
- High quality fixed saw band guide
- Professional band saw with closed base
- Changing the saw blade quick-release via the eccentric lever on the back of the machine without changing the tension setting
- Cast iron flywheels ensure a smooth run
- Easy tilting of the table from 0 to 45° via rocker pick-up
- Standard with two speeds
- Set cutting width easily readable on a scale
- Suitable for saw band widths from 6 to 25 mm
- Aluminum longitudinal stop with eccentric quick-tension and scale

### Media informations



The saw band tension can be read from the outside through a viewing window integrated in the door



High quality fixed saw blade guide

### Technical data ▼

Dimensions and weights			
Length (product) approx.	800 mm	Width/depth (product) approx.	490 mm
Height (product) approx.	2000 mm	Net weight approx.	157 kg
Extraction port			
Extraction port diameter	100 mm		
Work top(s)			
Work table length	535 mm	Work table width	485 mm
Work table height	975 mm	Work table groove width	19 mm
Electrical Data			
Supply voltage	400 V	Mains frequency	50 Hz
Input power	1.6 kW		
Cutting ranges			
Max. cutting height 90°	270 mm	Max. cutting width with stop	390 mm
Max. cutting width without stop	465 mm		
Saw band			
Saw band speed(s)	380 / 820 m/min	Flywheel diameter	470 mm
Saw band length	3455 mm		

### Accessories ▼



**Saw band**  
3455 x 6.0 x 0.6 mm, 6 TPI

**Article number** ▼  
5163806

**Availability** ▼  
In stock  
Immediate delivery

**Purchase** ▼  
Minimum 1 pc(s).

**Price informations** ▼





**Saw band**  
3455 x 10.0 x 0.5 mm, 4 TPI

**Article number** ▼  
5163810

**Availability** ▼  
In stock  
Immediate delivery

**Purchase** ▼  
Minimum 1 pc(s).

**Price informations** ▼



**Saw band**  
3455 x 16.0 x 0.5 mm, 4 TPI

**Article number** ▼  
5163815

**Availability** ▼  
In stock  
Immediate delivery

**Purchase** ▼  
Minimum 1 pc(s).

**Price informations** ▼



**Saw band**  
3455 x 20.0 x 0.5 mm, 4 TPI

**Article number** ▼  
5163820

**Availability** ▼  
In stock  
Immediate delivery

**Purchase** ▼  
Minimum 1 pc(s).

**Price informations** ▼



**Saw band**  
3455 x 25.0 x 0.5 mm, 4 TPI

**Article number** ▼  
5163825

**Availability** ▼  
In stock  
Immediate delivery

**Purchase** ▼  
Minimum 1 pc(s).

**Price informations** ▼



**Mitre gauge**  
WA-HBS351/400

**Article number** ▼  
5910814

**Availability** ▼  
In stock  
Immediate delivery

**Purchase** ▼  
Minimum 1 pc(s).

**Price informations** ▼



Prices on this data sheet are recommended retail prices, subject to change, in €, plus VAT at the statutory rate, plus packaging, shipping, transport, unloading, assembly and, if applicable, instruction costs. Sales prices of the dealers can deviate. No liability is accepted for printing errors, mistakes or incorrect presentation. Technical and optical changes are reserved. Illustration partly with optional accessories.