

Crosscut / miter saw

KGZ 255 E

With pull function - mobile and versatile



Article number ▼

5702255

Brand ▼

Holzstar

Availability ▼

In stock
Immediate delivery

Catalog directory ▼

Woodworking machinery » Chop saws /
Scroll saws » Crosscut / miter saws

Purchase ▼

Minimum 1 pc(s).



Delivery content ▼

- Hold-down clamp
- Dust collection bag
- Sawblade

Shipping informations ▼

Packaging Metrics		Weights		Delivery		Other	
Length	950 mm	Gross	20.5 kg	Delivery	Carrier	DualUse	✘
Width	550 mm	Net	17 kg	Content	1 pc(s).	SCIP	n/a
Height	370 mm					SVHC	No

Root data ▼

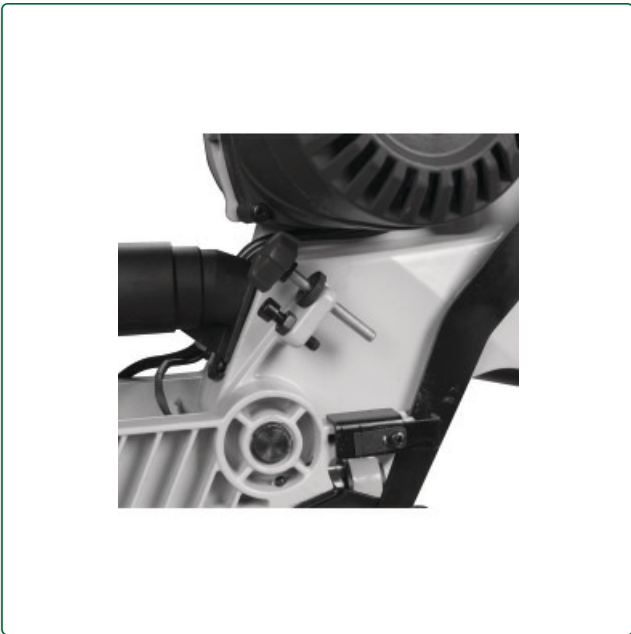
Country of origin	EAN	Custom number	Quantity unit
China	4036351261070	84659120	pc(s).

Description ▼

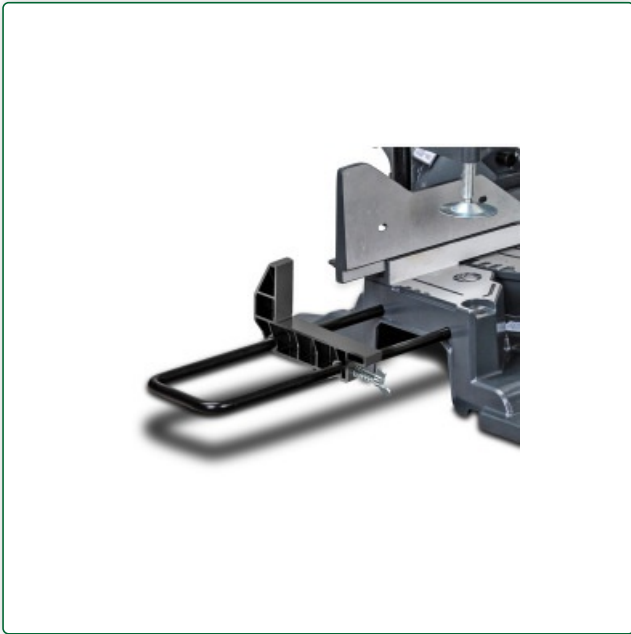
- With infinitely adjustable double mitre and double tilt as standard.
- Base plate and rotary table made of die-cast aluminium, at the same time compact, robust and easily transportable
- Laser projection on the workpiece for precise control of the cutting position
- Adjustable stop rails on the right and left side
- Laterally extendable support aids for longer workpieces
- 2-fold adjustable cross-cut depth limitation
- Pull function for extended cutting range
- Standard with hold-down clamp for safe workpiece locking
- Suction socket for dust collection bag or connection of an external suction unit

Media informations

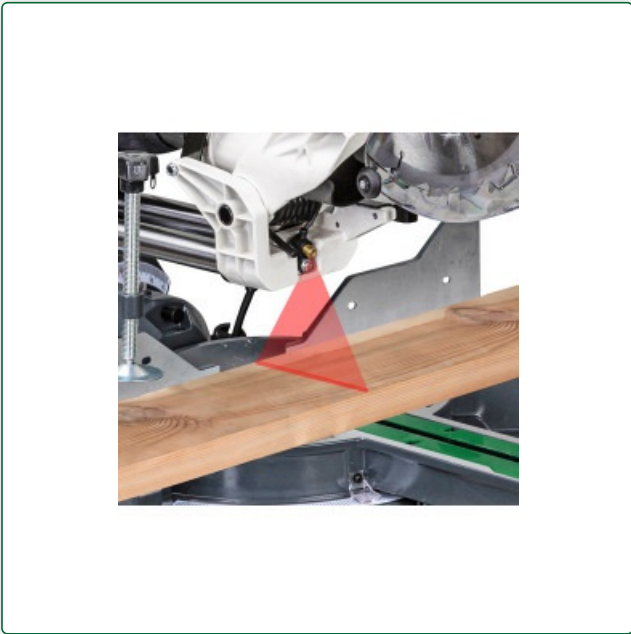




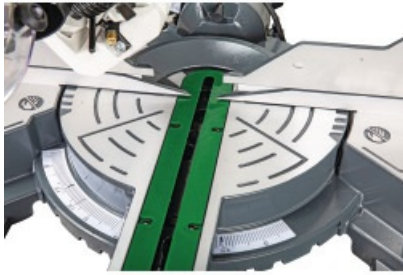
Dual adjustable chop depth limiter



Adjustable stop rails as well as laterally extendable support aids right and left



Laser projection on the workpiece for precise control of the cutting position



Mitre steplessly adjustable by 45° on both sides



Steplessly adjustable inclination of 45° on both sides

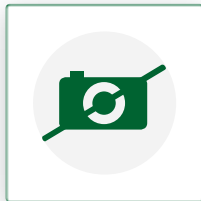
Technical data ▼

General features			
Saw band speed	5000 min ⁻¹	Saw blade diameter	255 mm
Extraction duct outside nominal width	36 mm	Max. bevel angle range left	45 °
Max. bevel angle range right	45 °	Max. mitre left	45 °
Max. mitre right	45 °		
Dimensions and weights			
Length (product) approx.	900 mm	Width/depth (product) approx.	550 mm
Height (product) approx.	430 mm	Net weight approx.	17 kg
Electrical Data			
Supply voltage	230 V	Mains frequency	50 Hz
Drive motor output	1,8 kW		
Cutting capacity			
Cutting capacity at 0° inclination / 0° mitre	315 x 90 mm	Cutting capacity at -45° inclination / 0° mitre	215 x 90 mm
Cutting capacity at +45° inclination / 0° mitre	215 x 90 mm	Cutting capacity at 0° inclination / -45° mitre	315 x 40 mm
Cutting capacity at -45° inclination / -45° mitre	215 x 40 mm	Cutting capacity at +45° inclination / +45° mitre	215 x 40 mm

Equipment ▼

Stop rails	adjustable	
------------	------------	--

Accessories ▼



Saw blade
255 x 30 x 3.0 mm Z24



Article number ✓
5267025

Availability ✓
In stock
Immediate delivery

Purchase ✓
Minimum 1 pc(s).

Price informations ✓

Prices on this data sheet are recommended retail prices, subject to change, in €, plus VAT at the statutory rate, plus packaging, shipping, transport, unloading, assembly and, if applicable, instruction costs. Sales prices of the dealers can deviate. No liability is accepted for printing errors, mistakes or incorrect presentation. Technical and optical changes are reserved. Illustration partly with optional accessories.