

Surface and thickness planer minimax fs 41e TERSA



In professional design

Article number ▼

5503451

Brand ▼

Holzkraft

Availability ▼

No stock available

Information:

Next availability

Expected on calendar week 11/2024

Catalog directory ▼

Woodworking machinery » Planers »
Surface and thickness planers » Surface
and thickness planer minimax fs 41e



Purchase ▼

Minimum 1 pc(s).


Delivery content ▼

- Dressing joining stop with round bar guide
- Num. Display thickness table positioning
- 2 feed speeds in the logger
- Tersa plane shaft

Shipping informations ▼

Packaging Metrics		Weights		Delivery		Other	
Length	2,030 mm	Gross	430 kg	Delivery	Carrier	DualUse	✘
Width	790 mm	Net	418 kg	Content	1 pc(s).	SCIP	n/a
Height	1,120 mm					SVHC	No

Root data ▼

Country of origin	EAN	Custom number	Quantity unit
 Italy	4036351221326	84659200	pc(s).



MADE IN ITALY

Description ▼

- TERSA planer blade system enables particularly quiet running.
- Slanted toothed steel roller for constant and even material feed
- Material feed with separate motor and two speeds
- Numeric display for the thickness of the table height
- The 2,000 mm long dressing tables allow easy dressing of large workpieces.
- Worktables are made of cast iron, re-annealed and stress-free, thus insensitive and durable plan
- Sturdy large aluminum dressing fence with round bar guide (1200 x 160 mm)
- Thick table adjustment via handwheel with numerical display for the planing height
- The high machine weight ensures highest precision and smooth running
- Powerful industrial engine
- Robust steel / cast iron construction

Significant Features ▼



Very quiet

- Particularly low-noise TERSA planer cutterhead

Media informations ▼





Dressing fence

- Sturdy, large aluminium dressing fence (1200 x 160 mm) with auxiliary stop
- With precise round bar guide



Two feed speeds

- Two feed speeds as standard
- Conveniently selectable from the operator front panel



Planing mill

- Helical toothed steel feed rolls for constant and even material feed
- Massive kickback guards prevent workpiece kickback
- 4-blade shaft ensures optimum planing pattern



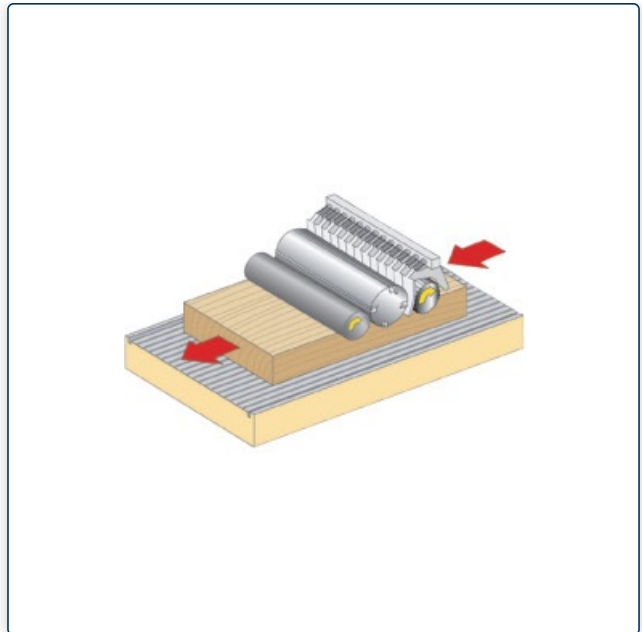
Stable designed chain drive

- Steel drive wheels
- Solid cast iron bearing block



Suction hose connection

- Suction ports for planing and thicknesser point in the same direction for planing and thicknesser
- Suction hose approaching the machine from the same side for both planing types
- Hose does not have to reach around the machine



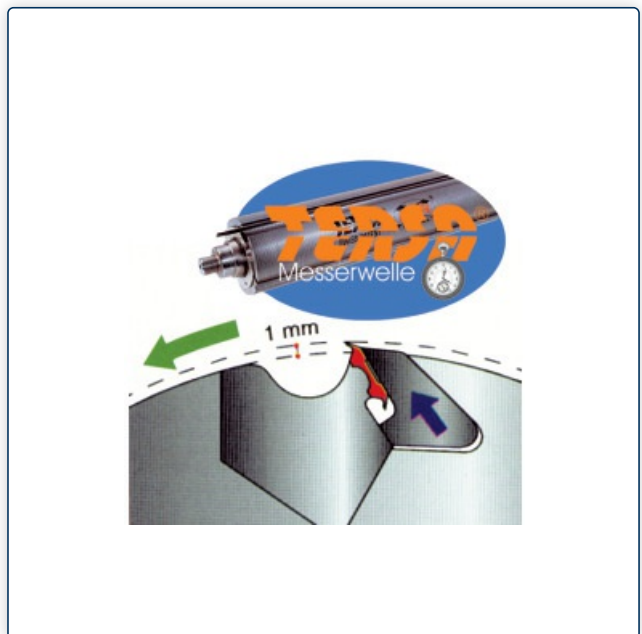
Material feed

- Helical toothed steel feed rollers for constant and uniform material feed without impressions
- Multiple teeth grip simultaneously for powerful feed
- Wear-free in contrast to rubber feed rolls



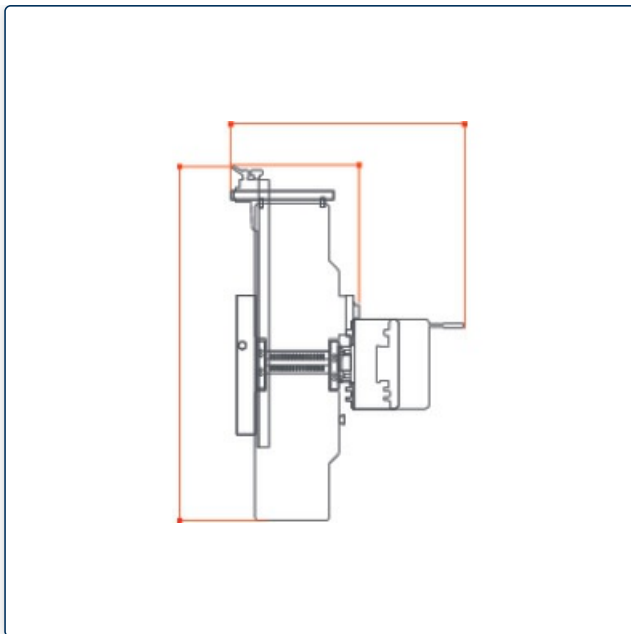
Tersa planer cutterhead

- No more adjusting and screwing
- Change planing knives in seconds
- Self-locking
- Particularly quiet running
- Optimal planing pattern



Tersa planer cutterhead

- No more adjusting and screwing
- Change planing knives in seconds
- Self-locking
- Particularly quiet running
- Optimal planing pattern




Technical data ▼

Dimensions and weights			
Length (product) approx.	2000 mm	Width/depth (product) approx.	1110 mm
Net weight approx.	430 kg		
Joining			
Total length of table	2000 mm	Task table length	1034 mm
Working height	900 mm	Max. cutting depth of joints	5 mm
Planing stop length	1200 mm	Planing stop height	160 mm
Extraction port			
Extraction port diameter thickness	2 x 120 mm		
Footprint			
Space requirement length	2000 mm	Space requirement width/depth	1670 mm
Space requirement explanation	The dimensions take into account maximum travel distances or useful lengths.	Machine body length	925 mm
Machine body width/length	645 mm	Work area length	1000 mm
Work area width/depth	3500 mm	Explanation about work area	Please add the given dimensions with the required space to obtain the free space recommended for the machine.
Thickness			
Thicknessing table length	775 mm	Thicknessing table width	423 mm
Working height min. thickness	3 mm	Working height max. thickness	230 mm
Max. cutting depth thickness	5 mm		
Electrical Data			
Drive motor output	5 kW	Supply voltage	400 V
Mains frequency	50 Hz		
Planing knife shaft			
Planing shaft type	TERSA	Planing shaft diameter	87 mm
Number of planing blades	4 St	Planing shaft speed	5200 min ⁻¹
Max. planing width	410 mm		

Accessories **Reversible planer knife**

Tersa 410 x 10 x 2.3 mm chrome (4 pieces)

Quality at reasonable prices

Article number 

5270411

Availability In stock
Immediate delivery**Purchase** Minimum 1 Set (4
pc(s).)**Price informations** **Reversible planer knife**

Tersa 410 x 10 x 2.3 mm M+ HSS (4 pieces)


Quality at reasonable prices

Article number 

5271411

Availability In stock
Immediate delivery**Purchase** Minimum 1 Set (4
pc(s).)**Price informations** **Diamond Whetstone**

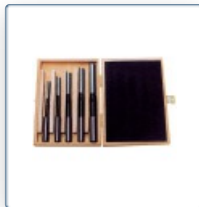

High-quality diamond honing stone for quick sharpening of carbide, HSS and tool steel

Article number 

5275100

Availability No stock available
Information:
Next availability
Unknown**Purchase** 

Minimum 1 pc(s).

Price informations **Long hole drill set**
5-part, left-handed**Article number** 

5333681

Availability In stock
Immediate delivery**Purchase** 

Minimum 1 pc(s).

Price informations **Slot mortising equipment**

LLBE-FS-ELITE / ELITE-S-CU-ELITE

Article number 

5510418

Availability No stock available
Information:
Next availability
Unknown**Purchase** 

Minimum 1 pc(s).

Price informations 



Travelling device



Article number ▼

5514108

Availability ▼

No stock available

Information:

Next availability

Expected on

calendar week

49/2023

Purchase ▼

Minimum 1 pc(s).

Price informations ▼

Options equipment ▼



Motor power

7.0 kW



Article number ▼

5514109

Availability ▼

No stock available

Information:

Next availability

Unknown

Purchase ▼

Minimum 1 pc(s).

Price informations ▼

Prices on this data sheet are recommended retail prices, subject to change, in €, plus VAT at the statutory rate, plus packaging, shipping, transport, unloading, assembly and, if applicable, instruction costs. Sales prices of the dealers can deviate. No liability is accepted for printing errors, mistakes or incorrect presentation. Technical and optical changes are reserved. Illustration partly with optional accessories.