

Surface and thickness planer minimax fs 52es SPIRAL



Maximum equipment for the professional with SPIRAL knife shaft.

Article number ▼

5503502

Brand ▼

Holzkraft

Availability ▼

In stock
Immediate delivery

Catalog directory ▼

Woodworking machinery » Planers »
Surface and thickness planers » Surface
and thickness planer minimax fs 52es

Purchase ▼

Minimum 1 pc(s).




Delivery content ▼

- Dressing joining stop with round bar guide
- Four feed rates
- Tersa plane or spiral knife shaft

Shipping informations ▼

Packaging Metrics		Weights		Delivery		Other	
Length	n/a	Gross	450 kg	Delivery	Carrier	DualUse	✘
Width	n/a	Net	450 kg	Content	1 pc(s).	SCIP	n/a
Height	n/a					SVHC	No

Root data ▼

Country of origin	EAN	Custom number	Quantity unit
 Italy	4036351226161	84659200	pc(s).



MADE IN ITALY

Description ▼

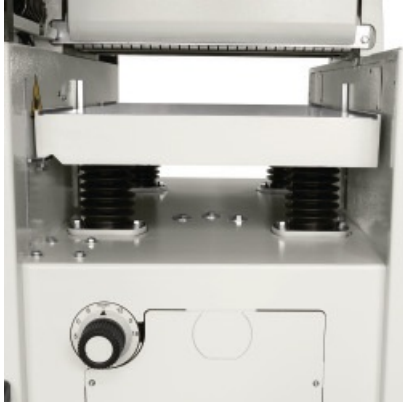
- Ideal for demanding craftsmen and carpenters
- The extra-long one-piece dressing tables allow for easy dressing of the workpieces
- Worktables are made of gray cast iron, thus insensitive and durable plan
- To the rear, at the same time opening jointer tables for a quick and comfortable rebuilding
- Thanks to the permanently installed suction hood, it is not necessary to change the suction hose when changing over, this saves valuable working time
- The helical steel pick-up roller ensures constant and even logging
- Rubber extraction roller in the outlet of the thickness ensures uniform timber extraction
- Material feed at four speeds
- Height adjustment of the thickness table via handwheel with integrated display for the planing height
- DIGITAL version with electric thickness height adjustment and digital display
- On and off switch in operator position
- Powerful industrial engine
- The high machine weight ensures highest precision and smooth running.
- Preparation for long hole drilling equipment/li>
- Quality Made in Italy

Media informations ▼



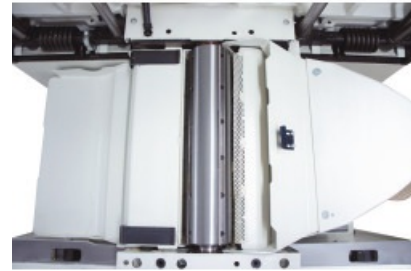
Adjustment of the thickness table

- Via handwheel with integrated display



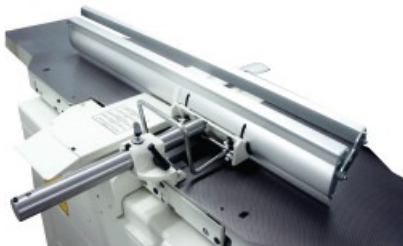
Thickening table

- Mounted on four large-dimension spindles that ensure maximum stability under all working conditions
- Thanks to the special lifting device, the table position is perfectly maintained even without being locked in place



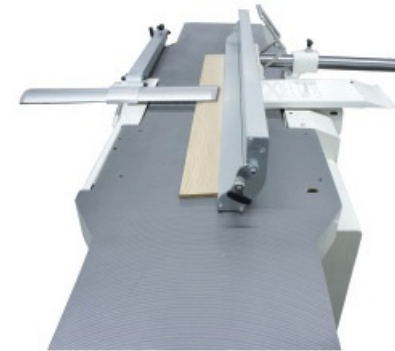
Planing mill

- Massive anti-kickback devices prevent the kickback of workpieces



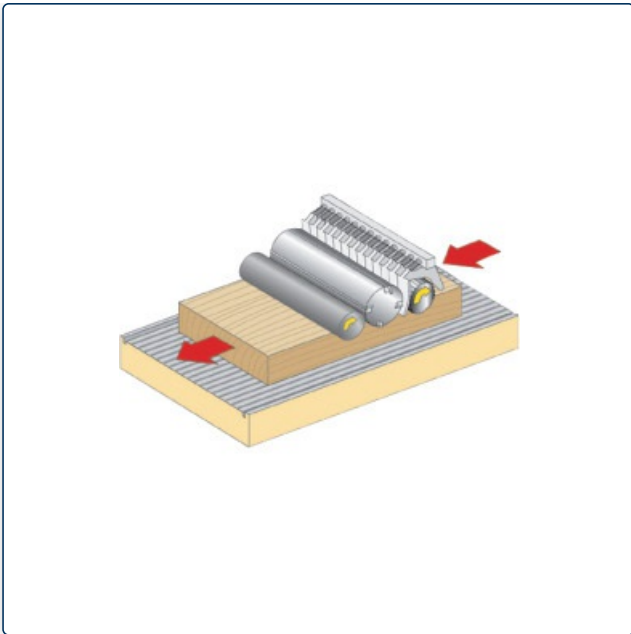
Anodized aluminum dressing fence

- Large dimensions (1200 x 150 mm)
- Easily movable
- Tiltable from 90° to 45° above scale



Auxiliary stop

- Standard
- For safe planing of even narrow workpieces



The material feed

- Helical toothed steel infeed rollers
- For a constant and even wood infeed without impressions
- Multiple teeth grip simultaneously for powerful feed
- Wear-free in contrast to rubber infeed rollers



Chip removal already from 0.2 mm

- With min. workpiece thickness of 3 mm
- Thanks to helical toothed infeed roller
- Ideal for economical planing of precious woods



Spiral planer cutter

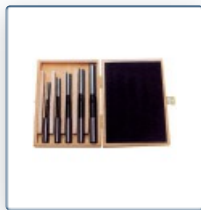
- Pulling cut, thus low power requirement
- Very quiet
- 84 knives of size 15 x 15 x 2,5 mm
- Working width of 520 mm

Technical data ▾

Dimensions and weights			
Length (product) approx.	2250 mm	Width/depth (product) approx.	1370 mm
Net weight approx.	695 kg		

Jointing			
Total length of table	2250 mm	Max. cutting depth of joints	5 mm
Planing stop length	1200 mm	Planing stop height	150 mm
Extraction port			
Extraction port diameter thickness	1 x 120 mm		
Footprint			
Space requirement length	2250 mm	Space requirement width/depth	1440 mm
Space requirement explanation	The dimensions take into account maximum travel distances or useful lengths.		
Thickness			
Thickening table length	520 mm	Thickening table width	850 mm
Working height min. thickness	3 mm	Working height max. thickness	240 mm
Working length min. thickness	220 mm	Max. cutting depth thickness	5 mm
Electrical Data			
Drive motor output	7 kW	Supply voltage	400 V
Mains frequency	50 Hz		
Planing knife shaft			
Planing shaft type	SPIRAL	Number of planing blades	66 St
Planing shaft speed	5000 min ⁻¹	Max. planing width	520 mm
Feed			
Feed speed	5/8/12/18 m/min		

Accessories ▼



Long hole drill set 5-part, clockwise



Article number ▼
5333682

Availability ▼
In stock
Immediate delivery

Purchase ▼
Minimum 1 pc(s).

Price information ▼



Slot mortising equipment LLBE F-ELITE-S



Article number ▼
5514500

Availability ▼
No stock available
Information:
Next availability
Unknown

Purchase ▼
Minimum 1 pc(s).

Price information ▼



Travelling device



Article number ▼
5514108

Availability ▼
No stock available
Information:
Next availability
Expected on
calendar week
49/2023

Purchase ▼
Minimum 1 pc(s).

Price information ▼



Replacement blade for spiral knife shaft 15 x 15 x 2.5 mm



Article number ▼
5514127

Availability ▼
In stock
Immediate delivery

Purchase ▼
Minimum 1 PU (10
pc(s).)

Price informations ▼

Options equipment ▼



Motor power 9.0 kW



Article number ▼
5514125

Availability ▼
No stock available
Information:
Next availability
Unknown

Purchase ▼
Minimum 1 pc(s).

Price informations ▼

Prices on this data sheet are recommended retail prices, subject to change, in €, plus VAT at the statutory rate, plus packaging, shipping, transport, unloading, assembly and, if applicable, instruction costs. Sales prices of the dealers can deviate. No liability is accepted for printing errors, mistakes or incorrect presentation. Technical and optical changes are reserved. Illustration partly with optional accessories.