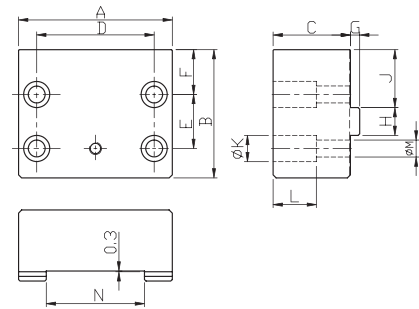


**OPTIONAL:** Soft jaw for different shape workpiece FJ & MJ can for cutting

FJ



Fixed side



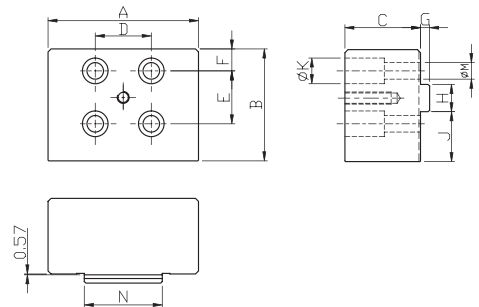
## SOFT FIXED JAW

ORDER NO.	A	B	C	D	E	F	G	H	J	K	L	M	N	WEIGHT	CODE NO.
VQC-100FJ	99.5	73	50	76	35	19	6	18	27.5	17	26	11	55	2.97	4005-013C
VQC-125FJ	124.5	91	60	88	45	29.5	8	24	40	19	33.5	13	63	4.96	4005-014
VQC-160FJ	159.5	102	60	124	50	34	9	28	45	22	30	15	84	7.2	4005-015
VQC-160L-FJ	159.5	102	60	124	50	34	9	28	45	22	30	15	84	7.2	4005-016
VQC-200L-FJ	200	122	75	140	62	40	9	28	57	25	37	17	100	3.61	4005-016A

MJ



Movable side

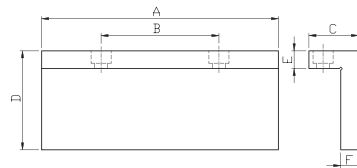
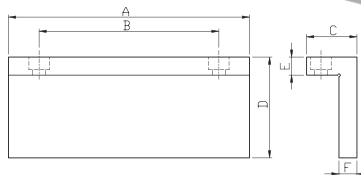


## SOFT MOVEABLE JAW

ORDER NO.	A	B	C	D	E	F	G	H	J	K	L	M	N	WEIGHT	CODE NO.
VQC-100MJ	99.5	64	50	37	35	14.5	6	18	23	17	26	11	51.5	2.65	4005-017A
VQC-125MJ	124.5	87	60	35	42	29	8	24	38	19	33.5	13	59.5	4.73	4005-017
VQC-160MJ	159.5	102	60	56	50	34	9	28	45	22	30	15	80.5	7.25	4005-018
VQC-160L-MJ	159.5	102	60	56	50	34	9	28	45	22	30	15	80.5	7.25	4005-019
VQC-200L-MJ	200	117	75	62	59	39	9	28	54.5	25	37	17	95	13.08	4005-019A



Suit for VQC & VQC-H type



## L TYPE FOR FIXED JAW

ORDER NO.	A	B	C	D	E	F	WEIGHT	CODE NO.
VQC-100FPF	100	70	37	49	15	15	0.81	4005-040
VQC-125FPF	125	80	37	54	15	15	1.06	4005-041
VQC-160FPF	160	100	42	59	15	15	1.55	4005-042
VQC-200FPF	201	150	42	84	15	15	2.56	4005-043

## L TYPE FOR MOVEABLE JAW

ORDER NO.	A	B	C	D	E	F	WEIGHT	CODE NO.
VQC-100FPM	100	40	37	49	15	15	0.81	4005-046
VQC-125FPM	125	50	37	54	15	15	1.06	4005-047
VQC-160FPM	160	80	42	59	15	15	1.55	4005-048
VQC-200FPM	201	100	42	84	15	15	2.56	4005-049